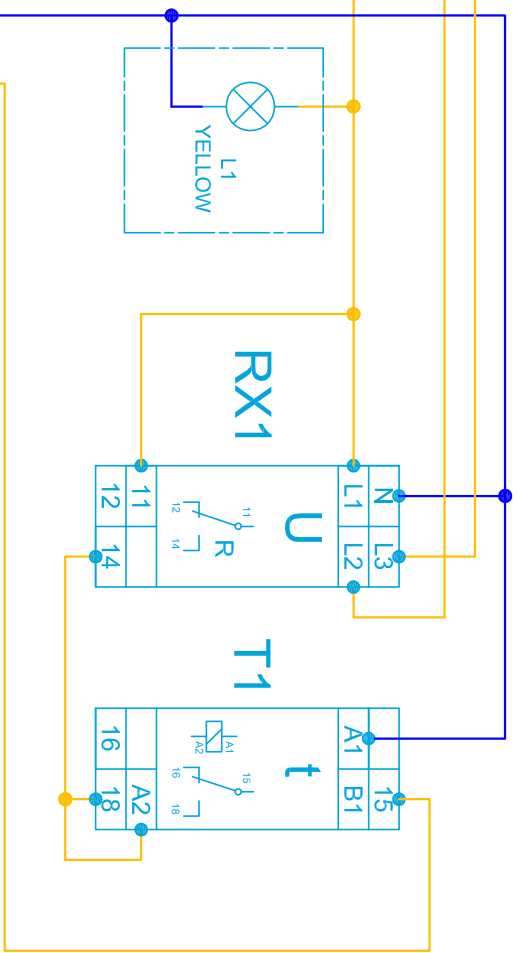
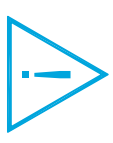


230V TO AC-DC
POWER SUPPLY

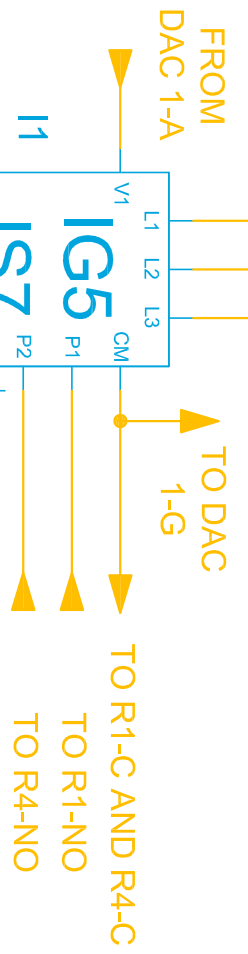


PLEASE CONSULT THE MANUAL AND DATASHEET OF THE MACHINE FOR MORE INFORMATION REGARDING THE SIZING OF THE COMPONENTS



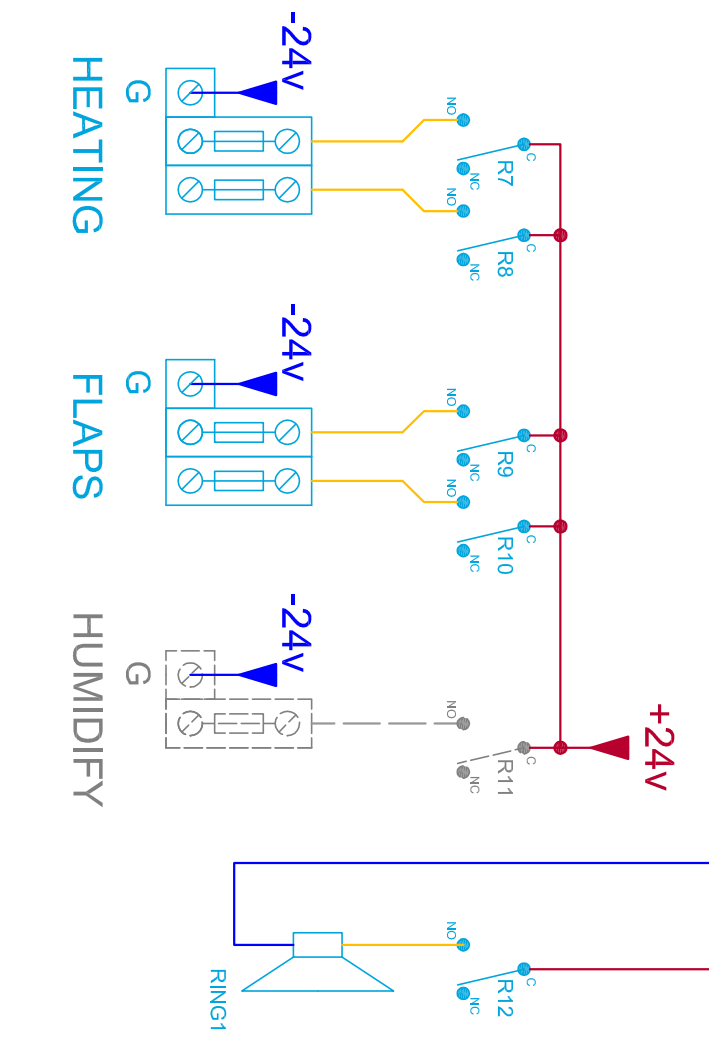
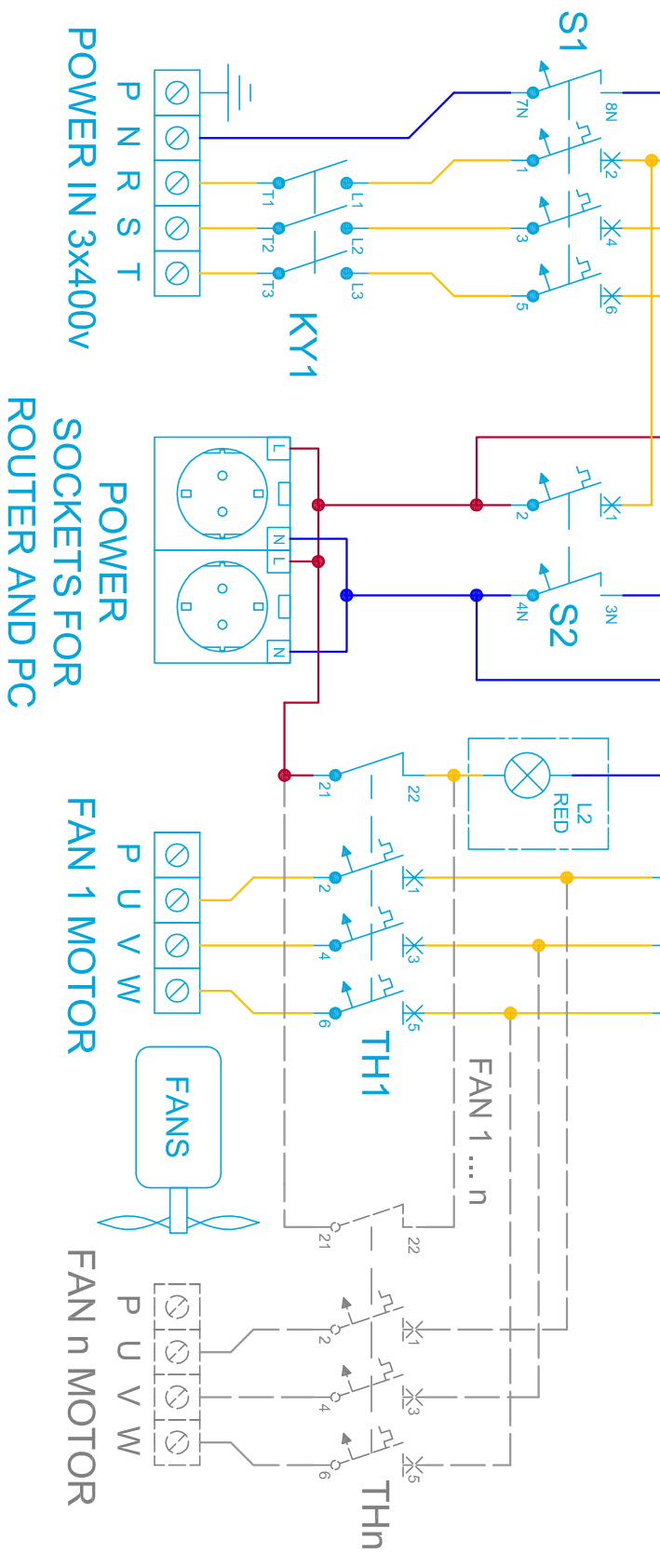
COMPONENTS

- KY - MAIN POWER SWITCH
- S1 - MAIN POWER CIRCUIT BREAKER
- S2 - 230V CIRCUIT BREAKER
- K1 - MAIN POWER CONTACTOR
- RX1 - MAIN POWER PHASE CHECK
- T1 - MAIN POWER TIMER
- TH - THERMAL RELAY FOR AUTOMATION FAN CONTROL
- FAN - AUTOMATION FAN
- I1 - INVERTER
- TH1 ... THn - THERMAL MOTOR PROTECTION WITH FAULT SWITCH
- RING1 - ACOUSTIC SIGNALING
- L1 - MAINS LAMP (YELLOW)
- L2 - MOTOR FAULT LAMP (RED)
- L3 - POWER IS ON LAMP (GREEN)
- B1 - POWER ON BUTTON
- E1 - EMERGENCY SWITCH



CAUTION

HIGH VOLTAGE. ONLY TO BE REPAIRED AND MAINTAINED BY SPECIALISED PROFESSIONALS!



BLUE SPARK SYSTEMS