

### LAN NETWORK SETTINGS

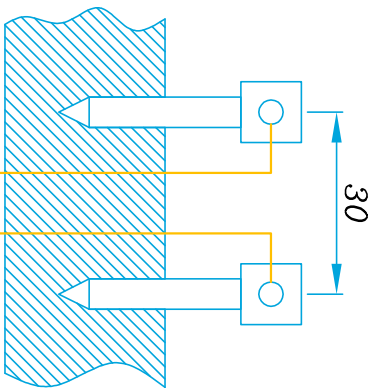
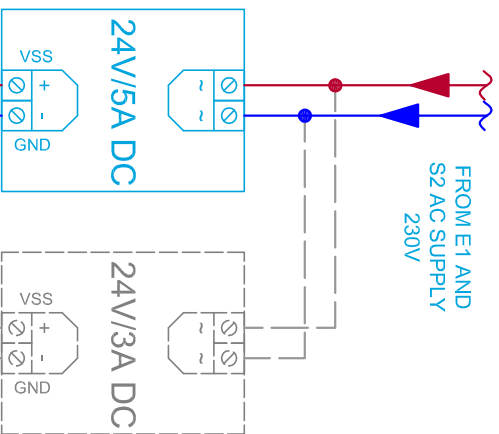
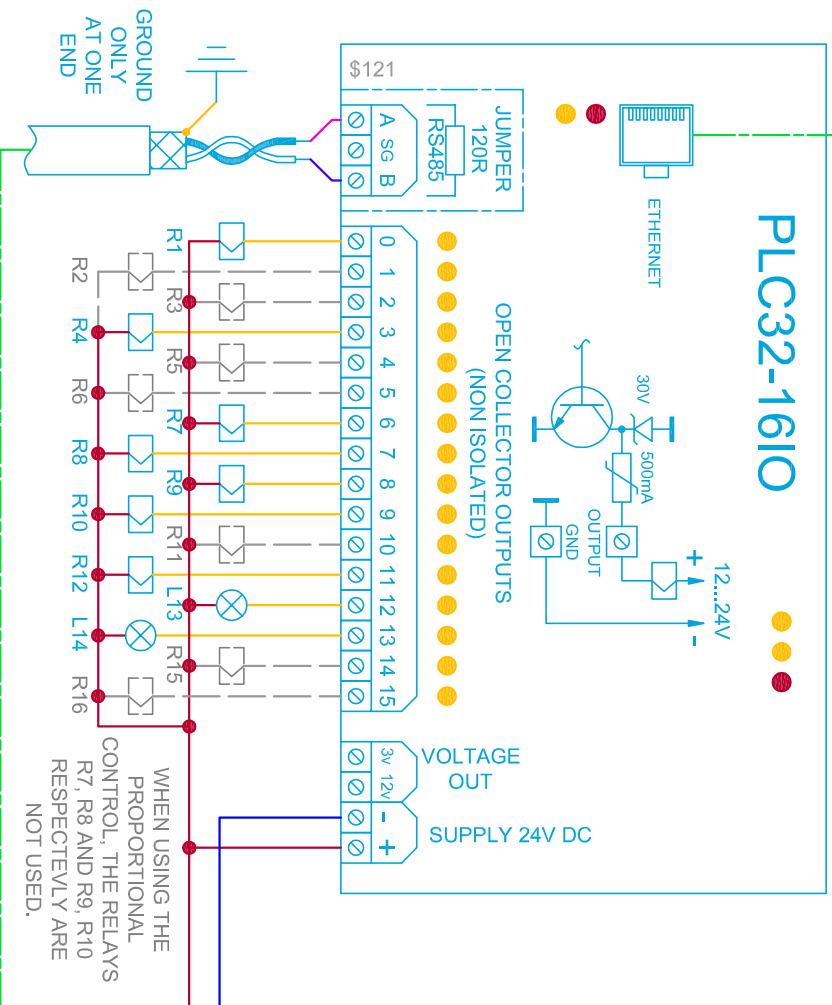
BOARD: 192.168.1.28;2828  
PC: 192.168.1.30;2828  
PC CAN BE CONNECTED EITHER ON WIFI OR ETHERNET

WHEN CONNECTING THE SYSTEM TO THE INTERNET EXPECT SOME INTERFERENCES AND DELAYS IN THE NETWORK.

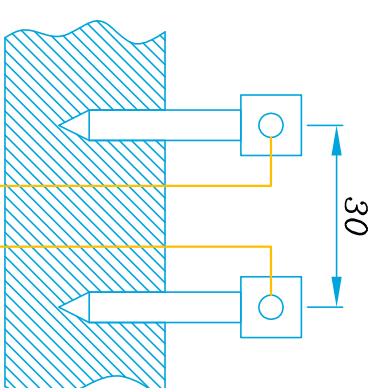
### OPTIONAL RELAYS

- R2, R3 and R4, R5 are optional and used only for starting fans sequentially in systems without an inverter
- R11 is used only for WOOD KILNS
- R15 is used optionally for restarting the PC on older systems
- R16 is used optionally to restart the DAC and WOOD boards on older systems

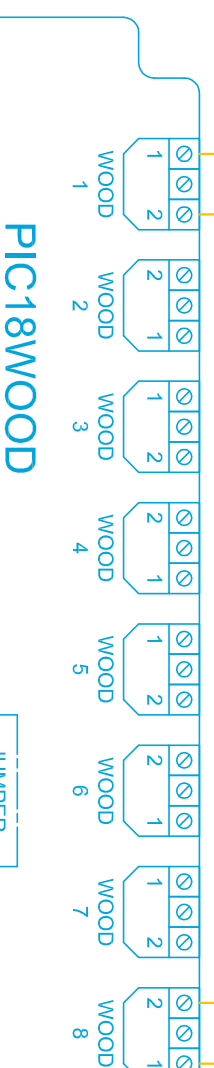
### PLC32-16IO



PROBES USED ONLY FOR WOOD KILNS



USE ONLY THE RECOMMENDED CABLES TO MAINTAIN THE ACURACY OF THE MEASUREMENT THE PROBES CABLE IS TEMPERATURE RESISTANT.

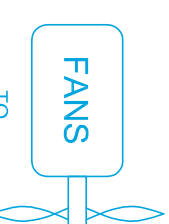
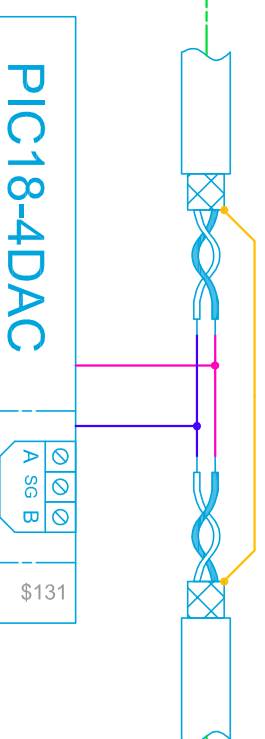


### PIC18WOOD

Cut here if using the optional power supply

USE THIS OPTIONAL CONNECTORS WHEN MOUNTING THE BOARD REMOTELY (WOOD KILNS)

USE ONLY SHIELDED CABLE FOR RS485 COMMUNICATION

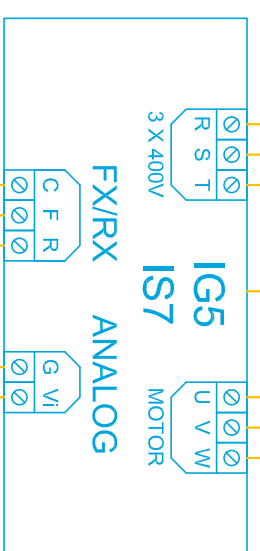
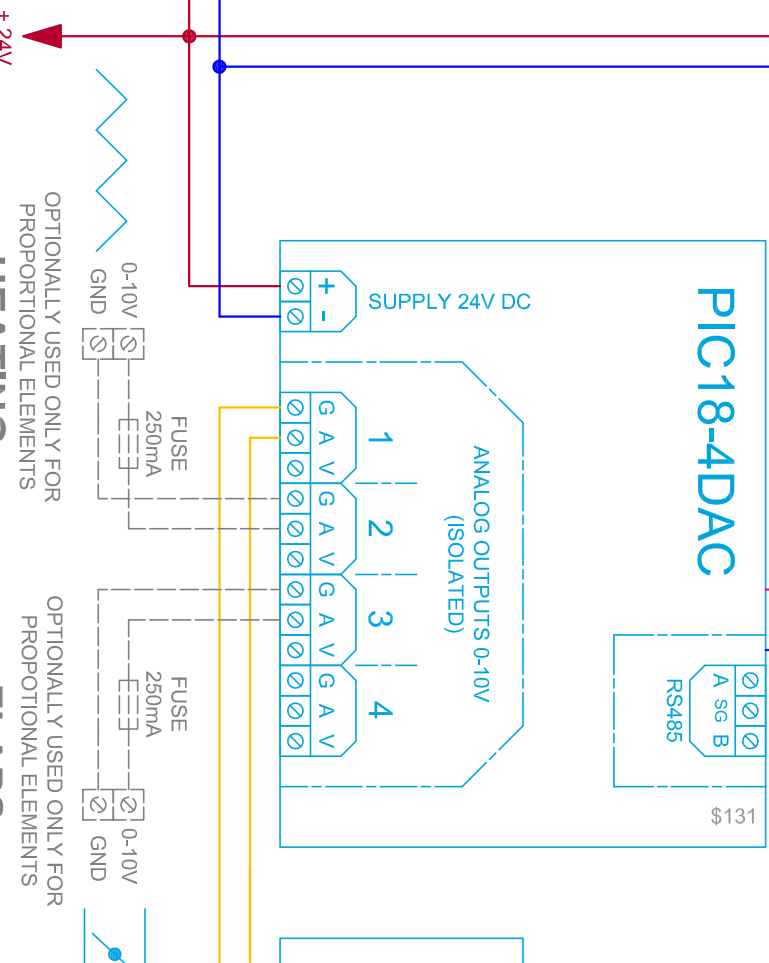


USE MOTOR THERMAL OVERLOAD RELAY AND FAULT SIGNALING

### RELAY DESIGNATION

- R1, R2, R3 - FANS FWD
- R4, R5, R6 - FANS REV
- R7 - HEATING OPEN
- R8 - HEATING CLOSE
- R9 - FLAPS OPEN
- R10 - FLAPS CLOSE
- R11 - HUMIDIFY ON
- R12 - ALARM ON
- R13 - PROCESS STOP
- R14 - PROCESS RUNNING
- R15 - PC RESET
- R16 - HARDWARE RESET

### PIC18-4DAC



### BLUE SPARK SYSTEMS

### HEATING

### FLAPS

OPTIONALLY USED ONLY FOR PROPORTIONAL ELEMENTS

OPTIONALLY USED ONLY FOR PROPORTIONAL ELEMENTS

USE CIRCUIT BREAKERS FOR POWER CONNECTIONS ON EVERY WAY IN AND OUT OF THE SYSTEM

DO NOT CONNECT